

SERVICE MANUAL

CD MECHANISM

BASIC CD MECHANISM :

KSM-2131FAM
3ZG-2 E1
3ZG-2 E3
3ZG-2 E4

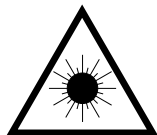
TYPE	BASIC CD MECHANISM
Z3NDSH	3ZG-2 E1
Z3RDLSHJ	3ZG-2 E3
Z3RNDSHJ	3ZG-2 E1
Z3RNDSH	3ZG-2 E1
Z3RNSMDJ	3ZG-2 E1
Z3RSHMDJ	3ZG-2 E3
PZ3MD	3ZG-2 E4
Z4RNDSH	KSM-2131 FAM
Z4RNSHMDJ	KSM-2131 FAM

PROTECTION OF EYES FROM LASER BEAM DURING SERVICING

This set employs laser. Therefore, be sure to follow carefully the instructions below when servicing.

WARNING!

WHEN SERVICING, DO NOT APPROACH THE LASER EXIT WITH THE EYE TOO CLOSELY. IN CASE IT IS NECESSARY TO CONFIRM LASER BEAM EMISSION. BE SURE TO OBSERVE FROM A DISTANCE OF MORE THAN 30cm FROM THE SURFACE OF THE OBJECTIVE LENS ON THE OPTICAL PICK-UP BLOCK.



- Caution: Invisible laser radiation when open and interlocks defeated avoid exposure to beam.
- Advarsel: Usynlig laserstråling ved åbning, når sikkerhedsafbrydere er ude af funktion. Undgå udsættelse for stråling.

VAROITUS!

Laiteen Käyttäminen muulla kuin tässä käyttöohjeessa mainitulla tavalla saattaa altistaa käyttäjän turvallisuusluokan 1 ylittävälle näkymättömälle lasersäteilylle.

WARNING!

Om apparaten används på annat sätt än vad som specificeras i denna bruksanvisning, kan användaren utsättas för osynlig laserstråling, som överskrider gränsen för laserklass 1.

CAUTION

Use of controls or adjustments or performance of procedures other than those specified herein may result in hazardous radiation exposure.

ATTENTION

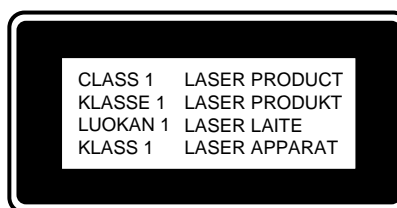
L'utilisation de commandes, réglages ou procédures autres que ceux spécifiés peut entraîner une dangereuse exposition aux radiations.

ADVARSEL!

Usynlig laserstråling ved åbning, når sikkerhedsafbrydere er ude af funktion. Undgå udsættelse for stråling.

This Compact Disc player is classified as a CLASS 1 LASER product.

The CLASS 1 LASER PRODUCT label is located on the rear exterior.

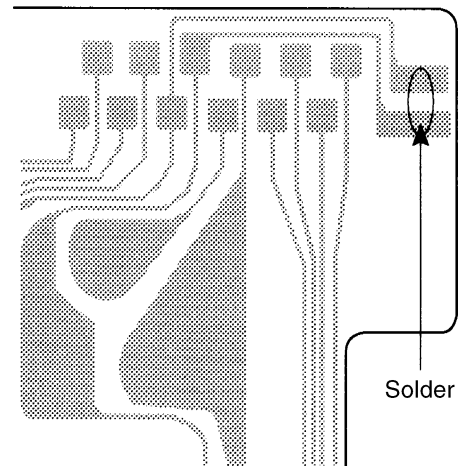


Precaution to replace Optical block (KSS-213F)

Body or clothes electrostatic potential could ruin laser diode in the optical block. Be sure ground body and workbench, and use care the clothes do not touch the diode.

- 1) After the connection, remove solder shown in the right figure.

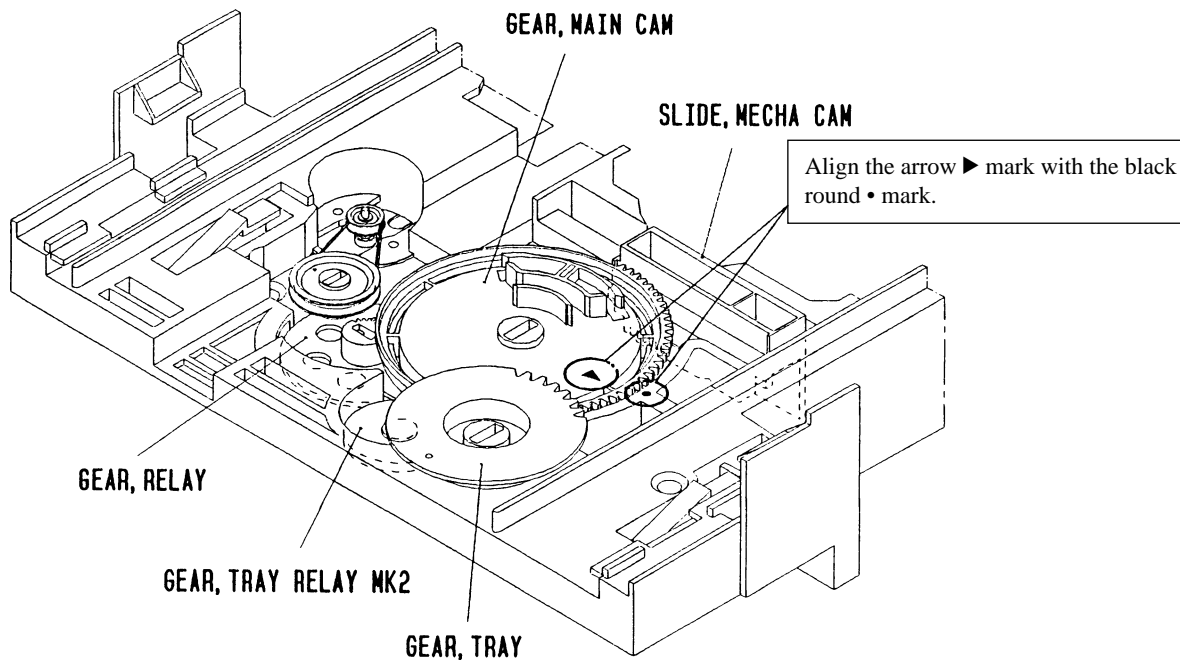
PICK-UP Assy P.C.B



How to Adjust the Rotating Phase of the Gear, Main Cam

- 1) Push down the hooking catch of the CHAS. MECH, and remove the TRAY.
- 2) Align the arrow mark of the Gear, Main Cam with the black round mark of the CHAS, MECHA as shown below.
- 3) Confirm that the Slide, Mech Cam is located in the right position, then insert the TRAY gently.

Caution: If the rotating phase of the Gear, Main Cam is incorrectly adjusted, the chucking operation and tray movement will have malfunction.



ELECTRICAL MAIN PARTS LIST

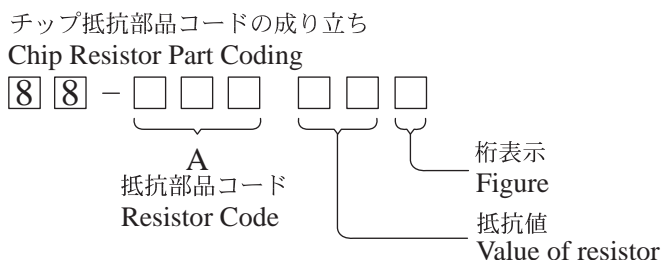
DESCRIPTIONで判断できない物は "REFERENCE NAME LIST" を参照してください。
 If can't understand for Description please kindly refer to "REFERENCE NAME LIST".

REF. NO	PART NO.	KANRI NO.	DESCRIPTION	REF. NO	PART NO.	KANRI NO.	DESCRIPTION
IC				C102	87-016-081-080		C-CAP,S 0.1-16 RK
	87-A20-446-010	C-IC, LA9241ML		C103	87-010-321-020		C-CAP,S 82P-50 CH
	87-A20-459-010	C-IC, LC78622ED		C104	87-012-154-020		C-CAP,S 150P-50 J CH GRM
	87-A20-445-010	IC, BA5936		C105	87-010-196-020		C-CAP,S 0.1-25 Z F GRM
	88-NF9-621-010	<Z4RNDSH, Z4RNSHMDJ, Z3RNSMDJ, PZ3MD> IC, BA5936S <Z3RNSH, Z3RDLSHJ, Z3RNSHJ, Z3RNSHMDJ>		C109	87-010-197-020		C-CAP,S 0.01-25 B
				C111	87-010-312-020		C-CAP,S 15P-50 J CH
				C112	87-010-154-020		C-CAP,S 10P-50 CH
				C113	87-010-322-020		C-CAP,S 100P-50 CH
				C115	87-010-404-080		CAP, ELECT 4.7-50V
				C116	87-010-196-020		C-CAP,S 0.1-25 Z F GRM
TRANSISTOR				C117	87-010-263-040		CAP,E 100-10
	89-113-187-080	TR, 2SA1318TU<Z3RNSMDJ, PZ3MD>		C118	87-010-178-020		C-CAP,S 1000P-50 B
	87-026-609-080	TR, KTA1266GR <EXCEPT Z3RNSMDJ, PZ3MD>		C119	87-010-154-020		C-CAP,S 10P-50 CH
	87-026-295-080	TR, DTC144TK		C121	87-010-403-080		CAP, ELECT 3.3-50V
	87-A30-076-080	C-TR, 2SC3052F		C122	87-010-403-080		CAP, ELECT 3.3-50V
	89-406-554-580	TR, 2SD655DE<EXCEPT Z4RNSHMDJ>		C123	87-012-157-020		C-CAP,S 330P-50 CH
	87-A30-047-080	TR, CSD655E<Z4RNSHMDJ>		C124	87-012-157-020		C-CAP,S 330P-50 CH
	87-A30-073-080	C-TR, RT1N 141C<Z3RDLSHJ, PZ3MD>		C131	87-010-382-080		CAP, ELECT 22-25V
	87-A30-075-080	C-TR, 2SA1235F		C191	87-010-263-040		CAP,E 100-10
				C301	87-010-196-020		C-CAP,S 0.1-25 Z F GRM
DIODE				C302	87-010-382-080		CAP, ELECT 22-25V
	87-A40-527-080	DIODE, 1SS133 T-91S		C303	87-010-260-040		CAP,E 47-25 SME
	87-020-465-080	DIODE, 1SS133 (110MA) <EXCEPT PZ3MD>		C501	87-A10-730-080		CAP,E 1000-16 SMG
	87-A40-470-080	DIODE, 1SS254<PZ3MD>		C502	87-010-197-020		C-CAP,S 0.01-25 B
				C504	87-010-196-020		C-CAP,S 0.1-25 Z F GRM
				C505	87-010-196-020		C-CAP,S 0.1-25 Z F GRM
				C506	87-010-196-020		C-CAP,S 0.1-25 Z F GRM
				C507	87-010-196-020		C-CAP,S 0.1-25 Z F GRM
				C509	87-010-196-020		C-CAP,S 0.1-25 Z F GRM
				C510	87-010-196-020		C-CAP,S 0.1-25 Z F GRM
3CD C.B				C603	87-010-196-020		C-CAP,S 0.1-25 Z F GRM
	C11	87-012-393-080	C-CAP,S 0.22-16 R K	C610	87-010-405-080		CAP, ELECT 10-50V
	C12	87-012-157-020	C-CAP,S 330P-50 CH	C611	87-010-405-080		CAP, ELECT 10-50V
	C13	87-016-369-080	C-CAP,S 0.033-25 B K	C701	87-010-405-040		CAP,E 10-50
	C14	87-A10-201-080	C-CAP,S 0.33-16 KB	C705	87-010-197-020		C-CAP,S 0.01-25 B
	C15	87-010-213-020	C-CAP,S 0.015-25 B	C706	87-010-196-020		C-CAP,S 0.1-25 Z F GRM
	C16	87-016-083-080	C-CAP,S 0.15-16 RK	C707	87-010-196-020		C-CAP,S 0.1-25 Z F GRM
	C17	87-010-184-020	C-CAP,S 3300P-50 B	C711	87-010-322-020		C-CAP,S 100P-50 CH
	C18	87-016-083-080	C-CAP,S 0.15-16 RK	C712	87-010-322-020		C-CAP,S 100P-50 CH
	C19	87-010-198-020	C-CAP,S 0.022-25 B<EXCEPT PZ3MD>	C713	87-010-322-020		C-CAP,S 100P-50 CH
	C19	87-016-369-080	C-CAP,S 0.033-25 B K<PZ3MD>	C901	87-010-260-080		CAP, ELECT 47-25V
	C20	87-010-178-020	C-CAP,S 1000P-50 B	C902	87-010-196-020		C-CAP,S 0.1-25 Z F GRM
	C21	87-012-393-080	C-CAP,S 0.22-16 R K	CON3	84-ZG1-648-010		CONN ASSY, 6P<Z4RNDSH, Z4RNSHMDJ>
	C22	87-016-083-080	C-CAP,S 0.15-16 RK	CON3	87-099-199-010		CONN, 6P 6216 H <EXCEPT Z4RNDSH, Z4RNSHMDJ>
	C23	87-010-197-020	C-CAP,S 0.01-25 B	CON4	87-099-212-010		CONN, 5P 6216 V
	C24	87-010-186-020	C-CAP,S 4700P-50 B	CON5	87-099-199-010		CONN, 6P 6216 H
	C25	87-010-400-040	CAP, E 0.47-50	CON6	87-099-030-010		CONN, 13P 6216H
	C26	87-010-322-020	C-CAP,S 100P-50 CH	CON8	87-A60-248-010		CONN, 16P H CFF1416 <Z4RNDSH, Z4RNSHMDJ>
	C27	87-010-382-040	CAP, E 22-25 SME	CON8	87-A60-429-010		CONN, 16P H TOC-A <EXCEPT Z4RNDSH, Z4RNSHMDJ>
	C28	87-010-545-040	CAP, E 0.22-50 SME	CON9	87-009-345-010		CONN, 2P PH H <Z4RNSHMDJ, Z3RNSMDJ, PZ3MD>
	C29	87-010-184-020	C-CAP,S 3300P-50 B	FC1	85-NFT-611-110		FF-CABLE 16P-1.0
	C31	87-010-186-020	C-CAP,S 4700P-50 B	FC4	84-ZG1-672-010		F-CABLE, 5P 1.25 210MM WHITE N
	C32	87-010-315-020	C-CAP,S 27P-50 CH<EXCEPT PZ3MD>	FC5	84-ZG1-630-010		CABLE FFC 6P-1.25 <EXCEPT Z4RNDSH, Z4RNSHMDJ>
	C32	87-010-312-080	C-CAP,S 15P-50 CH<PZ3MD>	L11	87-005-602-080		COIL, 10UH LAV35 J
	C33	87-016-081-080	C-CAP,S 0.1-16 RK	L101	87-005-614-080		COIL 100UH LAV35 J
	C35	87-010-196-020	C-CAP,S 0.1-25 Z F GRM	L102	87-005-602-080		COIL, 10UH LAV35 J
	C37	87-010-405-080	CAP, ELECT 10-50V	L902	87-A50-189-080		C-COIL, S BLM21B272S <Z4RNSHMDJ, Z3RNSMDJ, PZ3MD>
	C38	87-010-263-080	CAP, ELECT 100-10V	LED901	87-A40-558-010		LED, SLZ-8128A-01-A<EXCEPT PZ3MD>
	C39	87-010-596-020	C-CAP,S 0.047-16 RK	LED901	87-A40-123-010		LED, SLZ-8128A-01-B<PZ3MD>
	C40	87-010-401-080	CAP, ELECT 1-50V	M601	87-045-305-010		MOTOR, RF-500TB DC-5V (2MA)
	C41	87-010-805-080	CAP, S 1-16	R50	88-118-124-020		C-RES,S 120K-1/10W J <EXCEPT PZ3MD>
	C42	87-010-263-080	CAP, ELECT 100-10V	R51	88-118-124-020		C-RES,S 120K-1/10W J <EXCEPT PZ3MD>
	C43	87-010-197-020	C-CAP,S 0.01-25 B				
	C44	87-010-263-080	CAP, ELECT 100-10V				
	C46	87-010-196-020	C-CAP,S 0.1-25 Z F GRM				
	C47	87-010-260-080	CAP, ELECT 47-25V				
	C48	87-010-196-020	C-CAP,S 0.1-25 Z F GRM				
	C49	87-010-404-080	CAP, ELECT 4.7-50V				
	C50	87-010-197-020	C-CAP,S 0.01-25 B				
	C51	87-010-263-040	CAP, E 100-10				
	C52	87-012-156-080	C-CAP,S 220P-50 CH				
	C101	87-016-369-020	C-CAP,S 0.033-25 B K				

REF. NO	PART NO.	KANRI NO.	DESCRIPTION	REF. NO	PART NO.	KANRI NO.	DESCRIPTION
R52	88-118-124-020	C-RES,S	120K-1/10W J <EXCEPT PZ3MD>	DRIVE C.B<EXCEPT	Z4RNDSH, Z4RNSHMDJ>		
R53	88-118-124-020	C-RES,S	120K-1/10W J <EXCEPT PZ3MD>	M1	87-045-358-010		MOT,RF-310TA 43 <EXCEPT Z4RNDSH, Z4RNSHMDJ>
SFR101	87-A90-787-080	SFR,100K	H HOKU	M2	87-045-356-010		MOT,RF-310TA 30 <EXCEPT Z4RNDSH, Z4RNSHMDJ>
SW701	87-036-109-010		PUSH SWITCH	SW1	87-A90-042-010		SW,MSW-17310MVPO <EXCEPT Z4RNDSH, Z4RNSHMDJ>
SW702	87-036-109-010		PUSH SWITCH				
X101	87-A70-046-010	VIB,XTAL	16.934MHZ				
LED C.B<Z3RDLSHJ, PZ3MD>				MOTOR C.B<Z4RNDSH, Z4RNSHMDJ>			
LED701	87-A40-316-080	LED,SLR-56PCT31	GRN<PZ3MD>	M2	9X-262-513-210		SLED MOTOR<Z4RNDSH, Z4RNSHMDJ>
LED702	87-A40-316-080	LED,SLR-56PCT31	GRN<Z3RDLSHJ>	PIN3	91-564-722-110		CONNECTOR 6P<Z4RNDSH, Z4RNSHMDJ>
LED702	87-A40-268-080	LED,SLH-56DCT31	ORN<PZ3MD>	SW1	91-572-085-110		LEAF SW<Z4RNDSH, Z4RNSHMDJ>
LED703	87-A40-268-080	LED,SLH-56DCT31	ORN <Z3RDLSHJ, PZ3MD>				
LED704	87-A40-316-080	LED,SLR-56PCT31	GRN<PZ3MD>				
T-T C.B							
C401	87-A11-148-080	CAP,TC U	0.1-50 Z F				
CON401	86-NFZ-675-010	CONN,5P	H 6216-11H				
M401	87-045-364-010	MOTOR(BCH3B14)					
PS401	87-026-573-010	IC,GP1S53V	<Z4RNDSH, Z4RNSHMDJ, Z3RNSMDJ, PZ3MD>				
PS401	88-NF9-627-010	SNSR,SG-240	<Z3RNSH, Z3RDLSHJ, Z3RNSHJ, Z3RNSHM>				

- Regarding connectors, they are not stocked as they are not the initial order items.
The connectors are available after they are supplied from connector manufacturers upon the order is received.

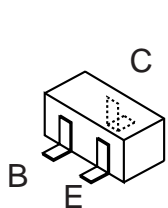
チップ抵抗部品コード / CHIP RESISTOR PART CODE



チップ抵抗
Chip resistor

容量 Wattage	種類 Type	許容誤差 Tolerance	記号 Symbol	寸法 / Dimensions (mm)			抵抗コード : A Resistor Code : A	
				外形 / Form	L	W		t
1/16W	1005	± 5%	CJ		1.0	0.5	0.35	104
1/16W	1608	± 5%	CJ		1.6	0.8	0.45	108
1/10W	2125	± 5%	CJ		2	1.25	0.45	118
1/8W	3216	± 5%	CJ		3.2	1.6	0.55	128

TRANSISTOR ILLUSTRATION

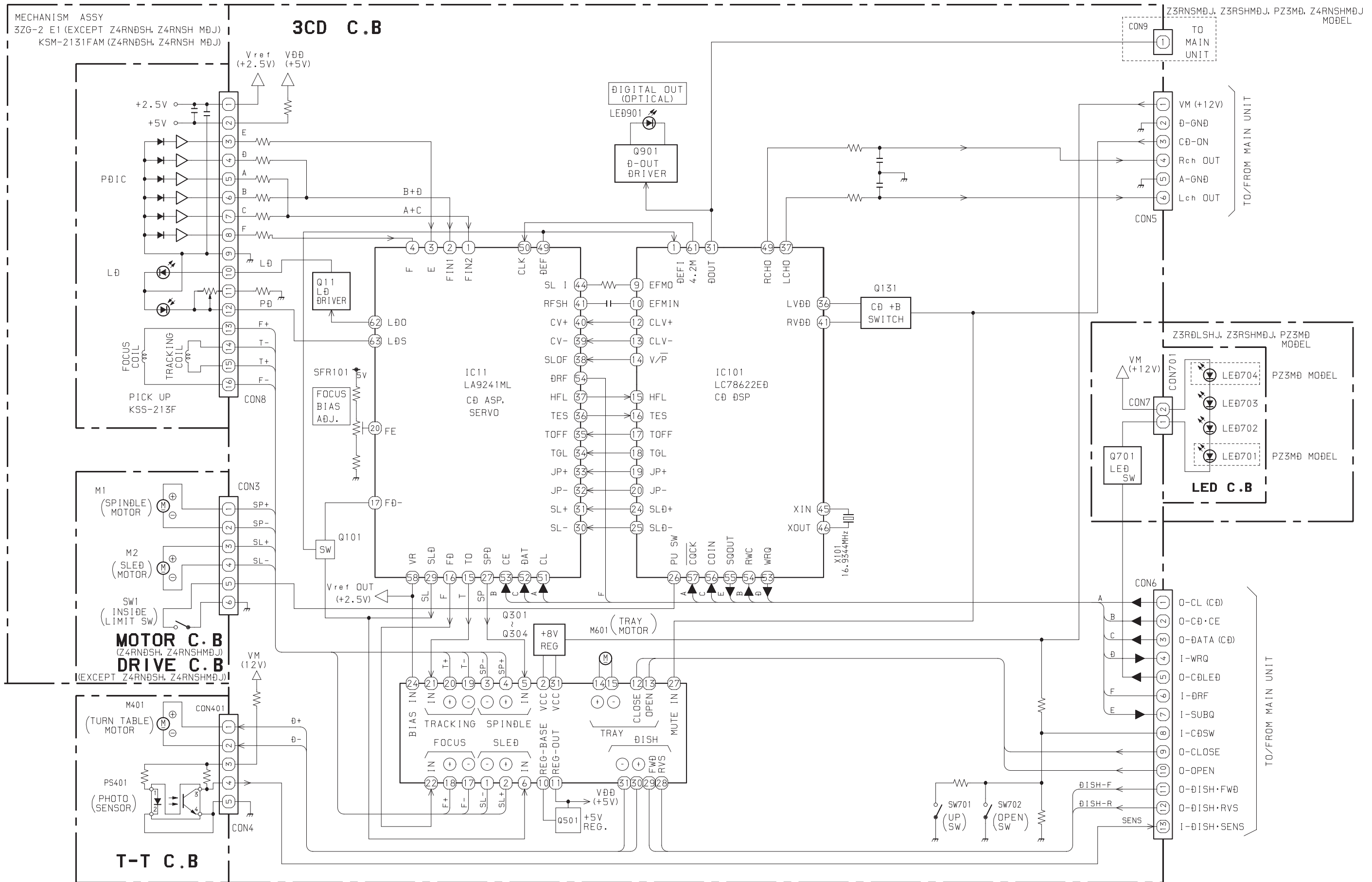


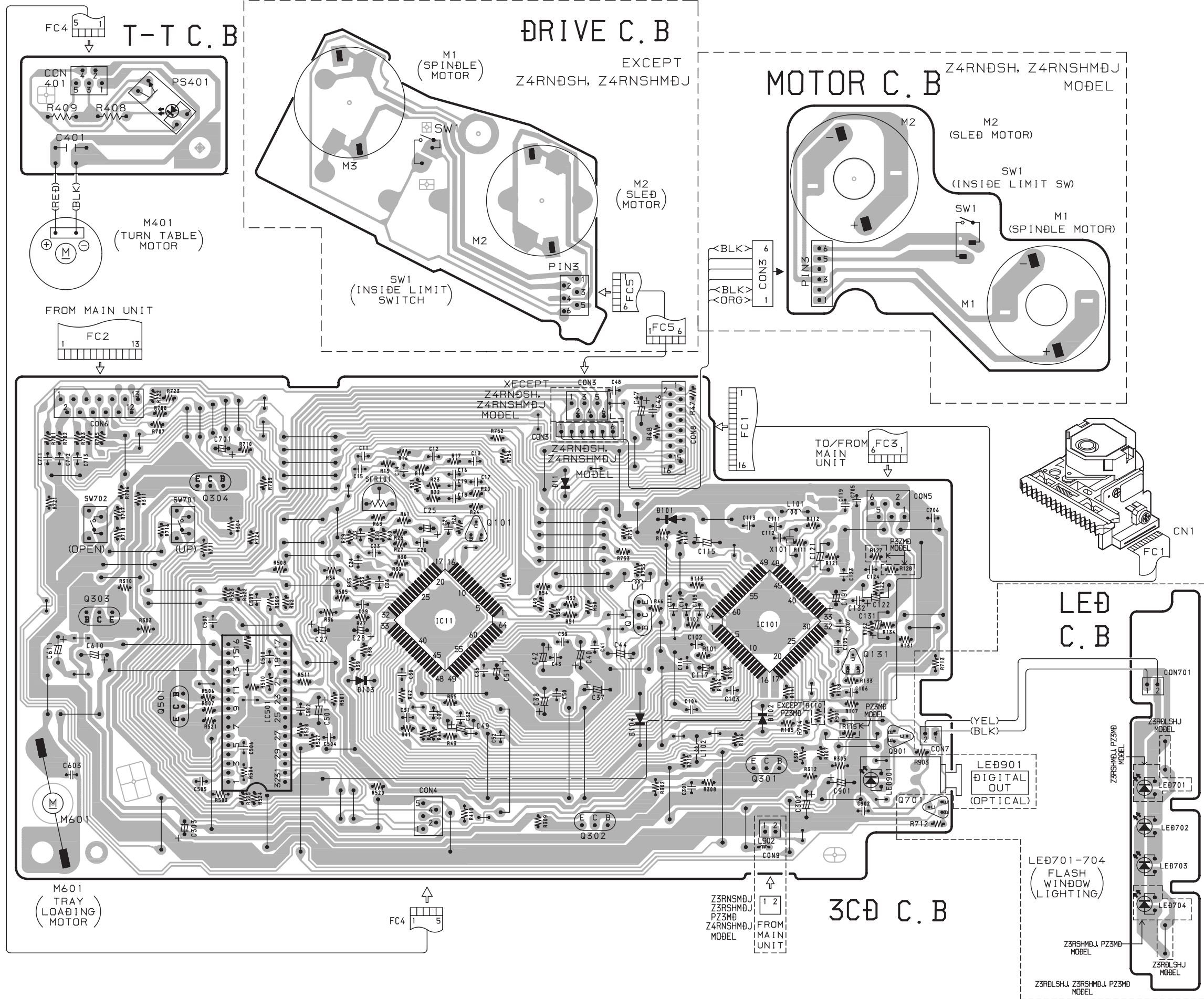
2SA1235
2SC3052
DTC144TK



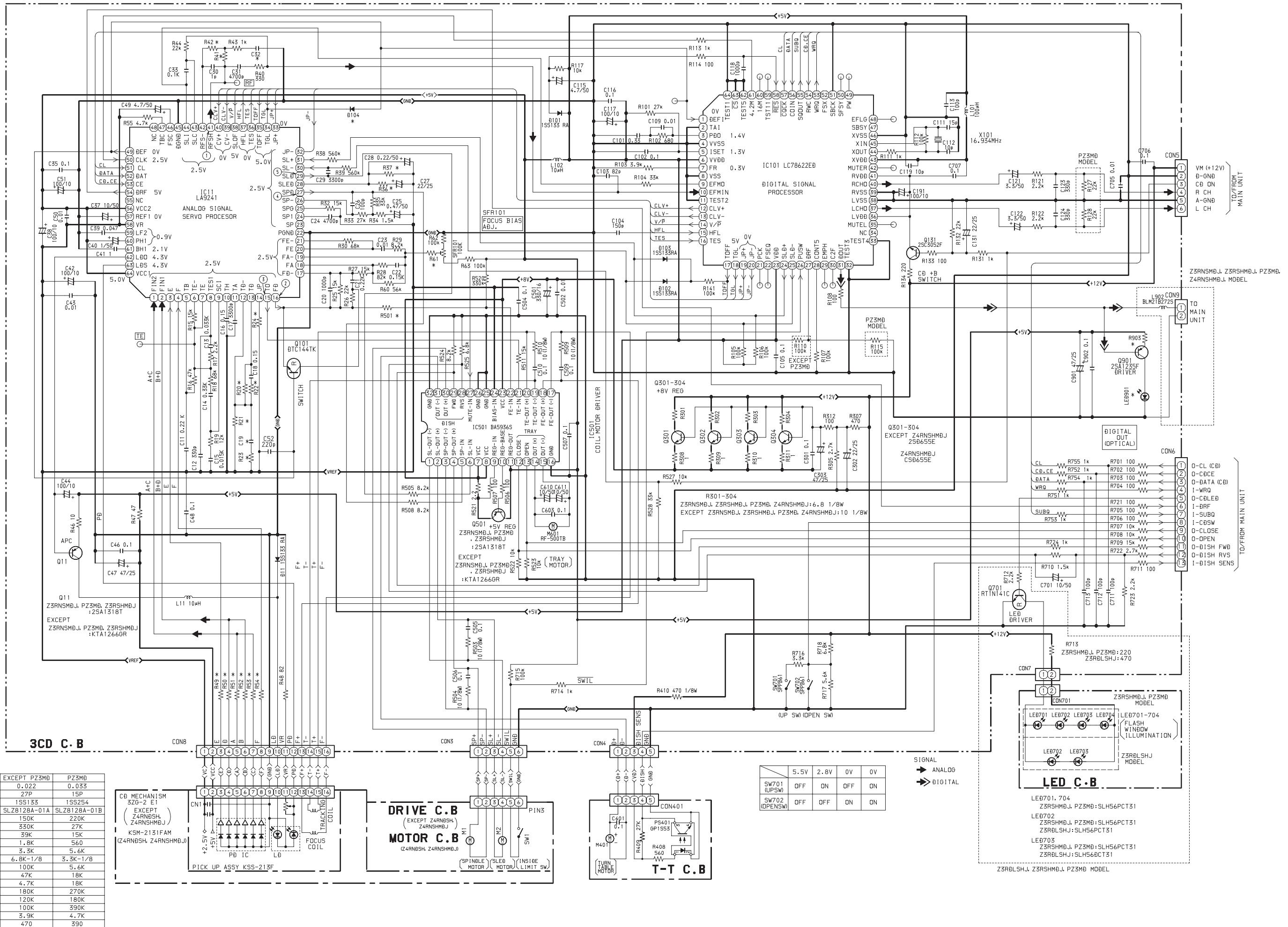
2SD655
KTA1266

BLOCK DIAGRAM

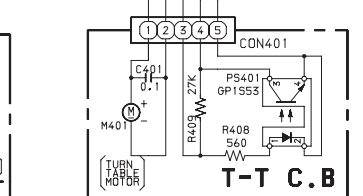
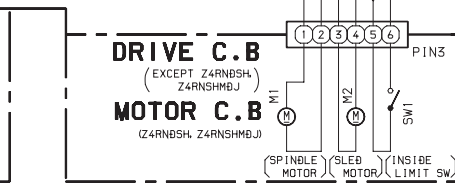
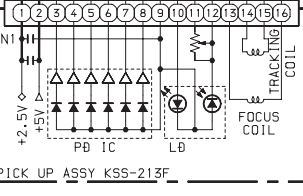
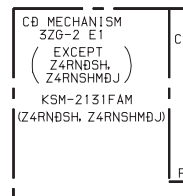




SCHEMATIC DIAGRAM

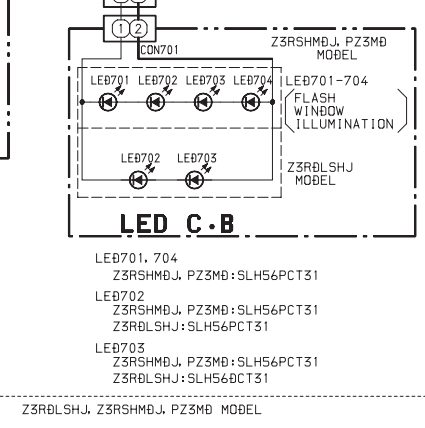


	EXCEPT PZ3MB	PZ3MB
C19	0.022	0.053
C32	27P	15P
B104	1S5133	1S5254
LE0901	SLZ8128A-01A	SLZ8128A-01B
R20	150K	220K
R21	330K	27K
R22	39K	15K
R23	1.8K	560
R24	3.3K	5.6K
R36	6.8K-1/8	3.3K-1/8
R37	100K	5.6K
R41	47K	18K
R42	4.7K	18K
R49, 54	180K	270K
R50-53	120K	180K
R61	100K	390K
R501	3.9K	4.7K
R903	470	390



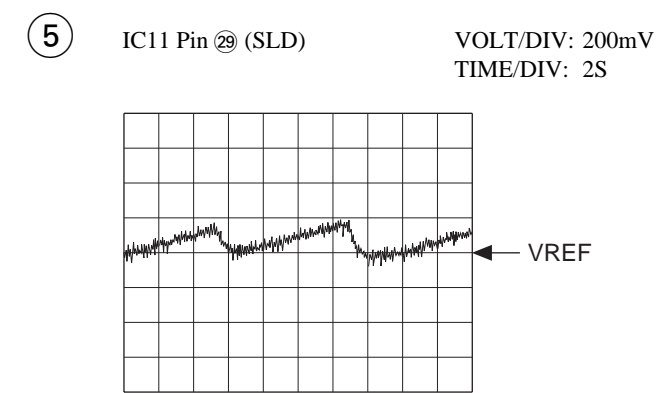
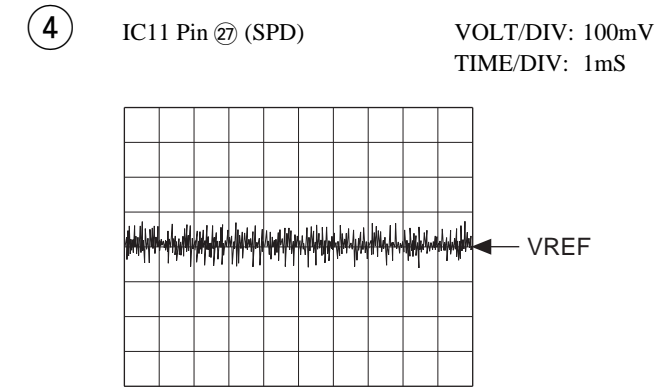
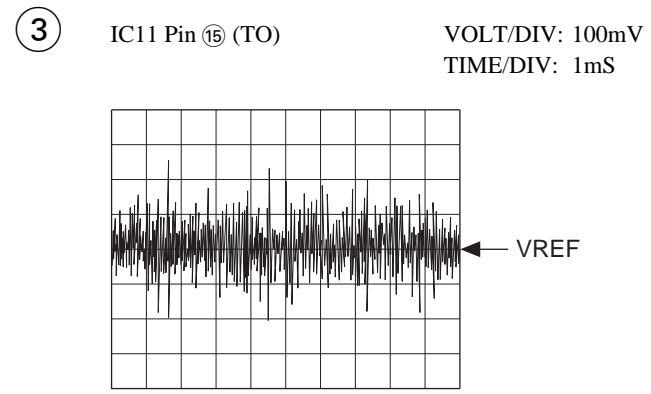
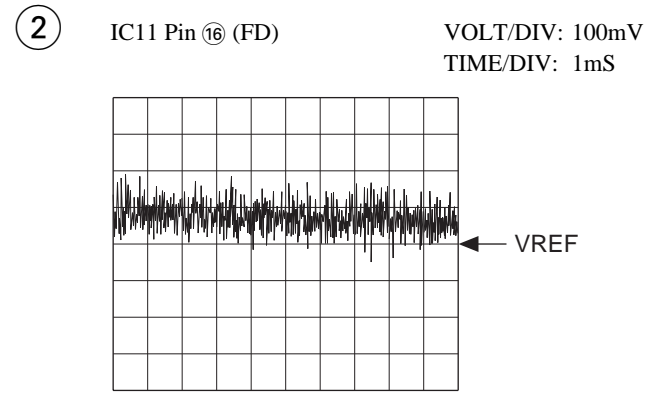
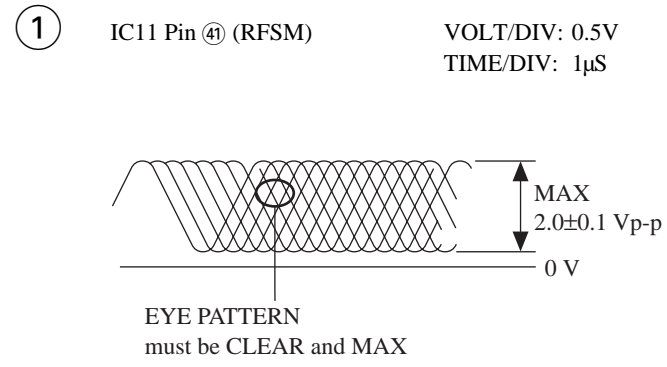
	5.5V	2.8V	0V	0V
SW701 (UP SW)	OFF	ON	OFF	ON
SW702 (OPEN SW)	OFF	OFF	ON	ON

SIGNAL
→ ANALOG
⇒ DIGITAL

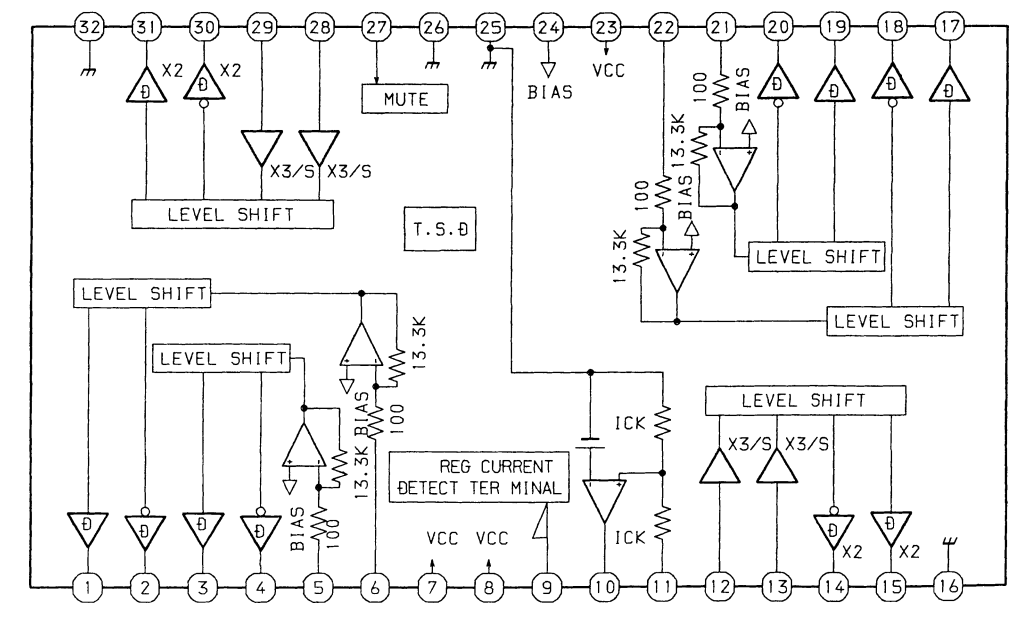


- LEB701, 704 Z3RSHMJ, Z3RSHMBJ, PZ3MB:SLH56PCT31
- LEB702 Z3RSHMJ, PZ3MB:SLH56PCT31 Z3RSLSHJ:SLH56PCT31
- LEB703 Z3RSHMJ, PZ3MB:SLH56PCT31 Z3RSLSHJ:SLH56PCT31

WAVE FORM



IC BLOCK DIAGRAM
IC, BA5936



IC DESCRIPTION
IC, LA9241M

Pin No.	Pin Name	I/O	Description
1	FIN2	I	Pin to which external pickup photo diode is connected. RF signal is created by adding with the FIN1 pin signal. FE signal is created by subtracting from the FIN1 pin signal.
2	FIN1	I	Pin to which external pickup photo diode is connected.
3	E	I	Pin to which external pickup photo diode is connected. TE signal is created by subtracting from the F pin signal.
4	F	I	Pin to which external pickup photo diode is connected.
5	TB	I	DC component of the TE signal is input.
6	TE-	I	Pin to which external resistor setting the TE signal gain is connected between the TE pin.
7	TE	O	TE signal output pin.
8	TESI	I	TES "Track Error Sense" comparator input pin. TE signal is passed through a band-pass filter then input.
9	SCI	I	Shock detection signal input pin.
10	TH	I	Tracking gain time constant setting pin.
11	TA	O	TA amplifier output pin.
12	TD-	I	Pin to which external tracking phase compensation constants are connected between the TD and VR pins.
13	TD	I	Tracking phase compensation setting pin.
14	JP	I	Tracking jump signal (kick pulse) amplitude setting pin.
15	TO	O	Tracking control signal output pin.
16	FD	O	Focusing control signal output pin.
17	FD-	I	Pin to which external focusing phase compensation constants are connected between the FD and FA pins.
18	FA	I	Pin to which external focusing phase compensation constants are connected between the FD- and FA- pins.
19	FA-	I	Pin to which external focusing phase compensation constants are connected between the FA and FE pins.
20	FE	O	FE signal output pin.
21	FE-	I	Pin to which external FE signal gain setting resistor is connected between the FE pin.
22	AGND	—	Analog signal GND.
23	NC	—	No connection.
24	SP	O	Single ended output of the CV+ and CV- pin input signal.
25	SPG	I	Pin to which external spindle gain setting resistor in 12 cm mode is connected.
26	SP-	I	Pin to which external spindle phase compensation constants are connected together with SPD pin.
27	SPD	O	Spindle control signal output pin.
28	SLEQ	I	Pin to which external sled phase compensation constants are connected.
29	SLD	O	Sled control signal output pin.
30, 31	SL-, SL+	I	Sled advance signal input pin from microprocessor.
32, 33	JP-, JP+	I	Tracking jump signal input pin from DSP.
34	TGL	I	Tracking gain control signal input from DSP. Low gain when TGL = H.
35	TOFF	I	Tracking off control signal input pin from DSP. Off when TOFF = H.

Pin No.	Pin Name	I/O	Description
36	TES	O	Pin from which TES signal is output to DSP.
37	HFL	O	“High Frequency Level” is used to judge whether the main beam position is on top of bit or on top of mirror.
38	SLOF	I	Sled servo off control input pin.
39, 40	CV-, CV+	I	CLV error signal input pin from DSP.
41	RFSM	O	RF output pin.
42	RFS-	I	RF gain setting and EFM signal 3T compensation constant setting pin together with RFSM pin.
43	SLC	O	“Slice Level Control” is the output pin which controls the RF signal data slice level by DSP.
44	SLI	I	Input pin which control the data slice level by the DSP.
45	DGND	—	Digital system GND.
46	FSC	O	Output pin to which external focus search smoothing capacitor is connected.
47	TBC	I	“Tracking Balance Control” EF balance variable range setting pin.
48	NC	—	No connection.
49	DEF	O	Disc defect detector output pin.
50	CLK	I	Reference clock input pin. 4.23 MHz of the DSP is input.
51	CL	I	Microprocessor command clock input pin.
52	DAT	I	Microprocessor command data input pin.
53	CE	I	Microprocessor command chip enable input pin.
54	DRF	O	“Detect RF” RF level detector output.
55	FSS	I	“Focus Search Select” focus search mode (\pm search/+ search) select pin.
56	VCC2	—	Servo system and digital system Vcc pin.
57	REFI	—	Pin to which external bypass capacitor for reference voltage is connected.
58	VR	O	Reference voltage output pin.
59	LF2	I	Disc defect detector time constant setting pin.
60	PH1	I	Pin to which external capacitor for RF signal peak holding is connected.
61	BH1	I	Pin to which external capacitor for RF signal bottom holding is connected.
62	LDD	O	APC circuit output pin.
63	LDS	I	APC circuit input pin.
64	VCC1	—	RF system Vcc pin.

IC, LC78622ED

Pin No.	Pin Name	I/O	Description	
1	DEFI	I	Defect sense signal (DEF) input pin. (Connect to 0V when not used).	
2	TAI	I	For PLL.	Test signal input pin with built-in pull-down resistor. Be sure to connect to 0V.
3	PDO	O		Phase comparator output pin to control external VCO.
4	VVSS	—		GND pin for built-in VCO. Be sure to connect to 0V.
5	ISET	I		Pin to which external resistor adjusting the PDO output current.
6	VVDD	—		Power supply pin for built-in VCO.
7	FR	I		Pin for VCO frequency range adjustment.
8	VSS	—	Digital system GND. Be sure to connect to 0V.	
9	EFMO	O	For slice level control.	EFM signal output pin.
10	EFMIN	I		EFM signal input pin.
11	TEST2	I	Test signal input pin with built-in pull-down resistor. Be sure to connect to 0V.	
12, 13	CLV+, CLV-	O	Disc motor control output. Three level output is possible using command.	
14	$\overline{V/P}$	O	Rough servo or phase control automatic selection monitoring output pin. Rough servo at H. Phase servo at L.	
15	HFL	I	Track detect signal input pin. Schmidt input.	
16	TES	I	Tracking error signal input pin. Schmidt input.	
17	TOFF	O	Tracking OFF output pin.	
18	TGL	O	Tracking gain selection output pin. Gain boost at L.	
19, 20	JP+, JP-	O	Track jump control signal output pin. Three level output is possible using command.	
21	PCK	O	EFM data playback clock monitoring pin 4.3218 MHz when phase is locked in.	
22	FSEQ	O	Sync signal detection output pin. H when the sync signal which is detected from EFM signal and thesync signal which is internally generated agree.	
23	VDD	—	Digital system power supply pin.	
24-28	SL+ - PUIN	I/O	General purpose input/output pin 1 to 5.	The pin is controlled by the serial data command from microprocessor. When the pin is not used, set the pin to the input terminal and connect to 0V, or alternately set the pin to output terminal and leave the pin open.
29	EMPH	O	De-emphasis monitor output pin. De-emphasis disc is being played back at H.	
30	C2F	O	C2 flag output pin.	
31	DOUT	O	DIGITAL OUT output pin. (EIAJ format).	
32, 33	TEST3, TEST4	I	Test signal input pin with built-in pull-down resistor. Be sure to connect to 0V.	
34	N.C.	—	Not used. Set the pin to open.	
35	MUTEL	O	L-channel 1-bit DAC.	L-channel mute output pin.
36	LVDD	—		L-channel power supply pin.
37	LCHO	O		L-channel output pin.
38	LVSS	—		L-channel GND. Be sure to connect to 0V.
39	RVSS	—	R-channel 1-bit DAC.	R-channel GND. Be sure to connect to 0V.
40	RCHO	O		R-channel output pin.
41	RVDD	—		R-channel power supply pin.
42	MUTER	O		R-channel mute output pin.

Pin No.	Pin Name	I/O	Description
43	XVDD	—	Crystal oscillator power supply pin.
44	XOUT	O	Pin to which external 16.9344 MHz crystal oscillator is connected.
45	XIN	I	
46	XVSS	—	Crystal oscillator GND pin. Be sure to connect to 0V.
47	SBSY	O	Subcode block sync signal output pin.
48	EFLG	O	C1, C2, single and dual correction monitoring pin.
49	PW	O	Subcode P, Q, R, S, T, U and W output pin.
50	SFSY	O	Subcode frame sync signal output pin. Falls down when subcode enters standby.
51	SBCK	I	Subcode read clock input pin. Schmidt input. (Be sure to connected to 0V when not in use.)
52	FSX	O	Pin outputting the 7.35 kHz sync signal which is generated by dividing frequency of crystal oscillator.
53	WRQ	O	Subcode Q output standby output pin.
54	RWC	I	Read/write control input pin. Schmidt input.
55	SQOUT	O	Subcode Q output pin.
56	COIN	I	Command input pin from microprocessor.
57	$\overline{\text{CQCK}}$	I	Command input read clock or subcode read input clock from SQOUT pin
58	$\overline{\text{RES}}$	I	LC78622 reset input pin. Set this pin to L once when the main power is turned on.
59	TST11	O	Test signal output pin. Use this pin as open (normally L output).
60	16M	O	16.9344 MHz output pin.
61	4.2M	O	4.2336 MHz output pin.
62	TEST5	I	Test signal input pin with built-in pull-down resistor. Be sure to connect to 0V.
63	$\overline{\text{CS}}$	I	Chip select signal input pin with built-in pull-down resistor. Be sure to connect to 0V while it is not controlling.
64	TEST1	I	Test signal input pin without built-in pull-down resistor. Be sure to connect to 0V.

Note: The same potential must be applied to the respective power supply terminals. (VDD, VVDD, LVDD, RVDD, XVDD)

TEST MODE

1. How to Activate CD Test Mode

Insert the AC plug while pressing the function CD button.
All FL display tubes will light up, and the test mode will be activated.

2. How to Cancel CD Test Mode

Either one of the following operations will cancel the CD test mode.

- Press the function button.
- Press the power switch button. (except CD function button)
- Disconnect the AC plug

3. CD Test Mode Functions

When test mode is activated, the following mode functions from No.1 to No.5 can be used by pressing the operation keys.

Mode/No.	Operation	FL display	Operation	Contents
Start mode No.1	Activation	All lamps light	<ul style="list-style-type: none"> • Test mode is activated. • CD block power is ON. 	<ul style="list-style-type: none"> • FL display check (All displays light.)
Search mode No.2	■ key		<ul style="list-style-type: none"> • Laser diode turns always ON. • Continual focus search (The pickup lens repeats the full-swing up-down motion.) * Avoid continual searches that last for more than 10 minutes. <p style="text-align: right;">* NOTE 1</p>	<ul style="list-style-type: none"> • APC circuit check • Laser current measurement (Laser current control. Across a resistor connected between emitter and GND.) <p>FOCUS SERVO</p> <ul style="list-style-type: none"> • Check focus search waveform • Check focus error waveform (FOK/FZC are not monitored in the search mode)
Play mode No.3	◀▶ key		<ul style="list-style-type: none"> • Normal playback • Focus search is continued if TOC cannot be read. <p style="text-align: right;">* NOTE 1</p>	<p>FOCUS SERVO/TRACKING SERVO</p> <p>CLV SERVO/SLED SERVO</p> <p>Check DRF</p>
Traverse mode No.4	key		<ul style="list-style-type: none"> • During normal disc playback Press once; tracking servo OFF Press twice; tracking servo ON <p style="text-align: right;">* NOTE 2</p>	<p>TRACKING SERVO ON/OFF</p> <p>Tracking balance (traverse) check</p>
Sled mode No.5	⏪ key ⏩ key	All lamps light	<ul style="list-style-type: none"> • Pickup moves to the outermost track • Pickup moves to the innermost track <p style="text-align: right;">* NOTE 3</p> <p>(During playback, machine operates normally.)</p>	<p>SLED SERVO</p> <p>Check SLED mechanism operation</p>

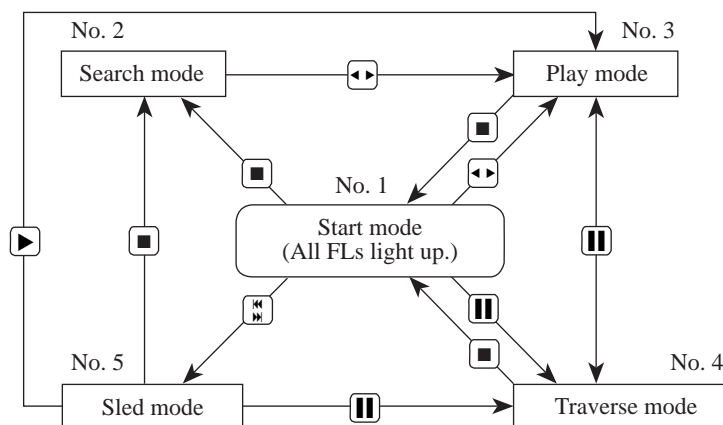
* NOTE 1: There are cases when the tracking servo cannot be locked owing to the protection circuit being operated when heat builds up in the driver IC if the focus search is operated continually for more than 10 minutes. In these cases the power supply should be switched off for 10 minutes until heat has been reduced and then re-started.

* NOTE 2: Do not press the ⏪ or ⏩ keys when the machine is in the || status is active. If they are pressed, playback will not be possible after the || status has been canceled. If the ⏪ or ⏩ keys are pressed in the || status, press the ■ key and return to the start mode (No.1).

* NOTE 3: When pressing the ⏪ or ⏩ keys, take care to avoid damage to the gears. Because the sled motor is activated when the ⏪ or ⏩ keys are pressed, even when the pick-up is at the outermost or innermost track.

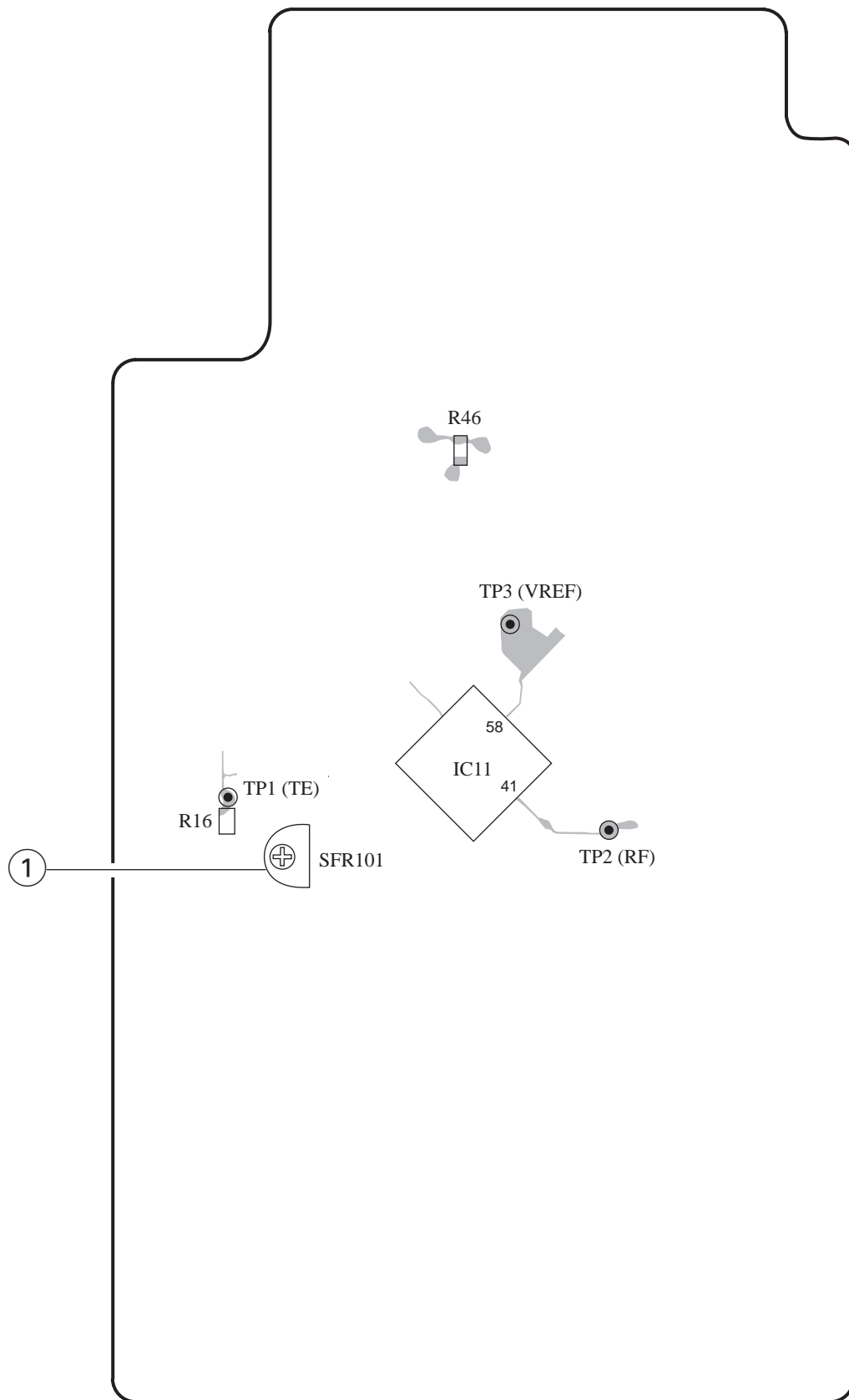
4. Operation Outline

The operation of each mode is carried out in the direction of the arrows from the start mode as indicated in the following illustration.



If the DISC DIRECT PLAY button is pressed, the machine performs the same operation as the PLAY button is pressed as shown. If the tray is opened by pressing OPEN/CLOSE button during Play mode or Traverse mode, the machine returns to the Start mode.

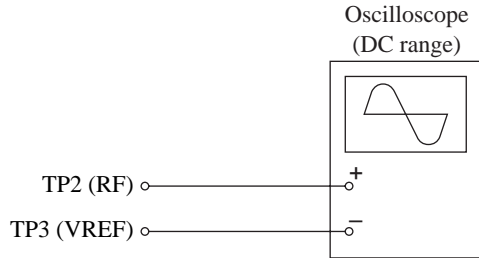
3CD C.B (PATTERN SIDE)



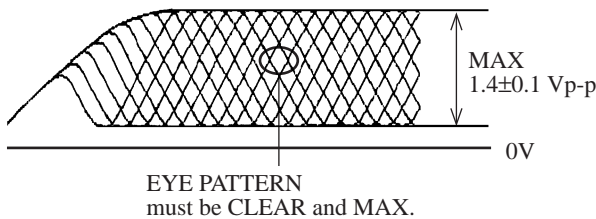
- Note:**
- Connect a probe (10: 1) of the oscilloscope test point for adjustment.
 - Connect ground (\ominus) terminal of oscilloscope probe to TP3 (VREF) for all adjustment.

1. Focus Bias Adjustment

Make the focus bias adjustment when replacing and repairing the optical block.

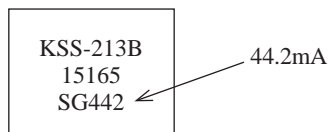


- 1) Connect an oscilloscope to test points TP2 (RF) and TP3 (VREF).
- 2) Turn on the power switch.
- 3) Insert test disc TCD-782 (YEDS-18) and play back the second program.
- 4) Adjust SFR101 so that RF signal of the test point TP2 (RF) is MAX and CLEARREST.



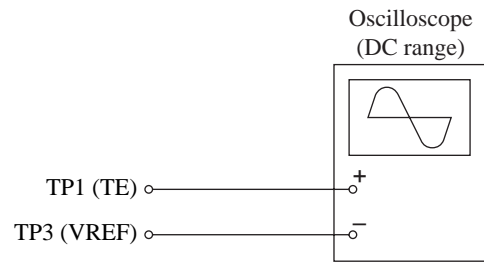
VOLT/DIV: 0.5V
TIME/DIV: 0.5 μ S

Note: The current of the laser signal can be checked with the voltages on both sides of R46 (voltage across 10 Ω). The difference for the specified value shown on the label must be within ± 6.0 mA.

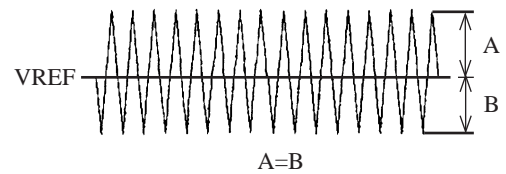


$$\text{Laser current } I_{op} = \frac{\text{Voltage across R46}}{10\Omega}$$

2. Tracking Balance Check

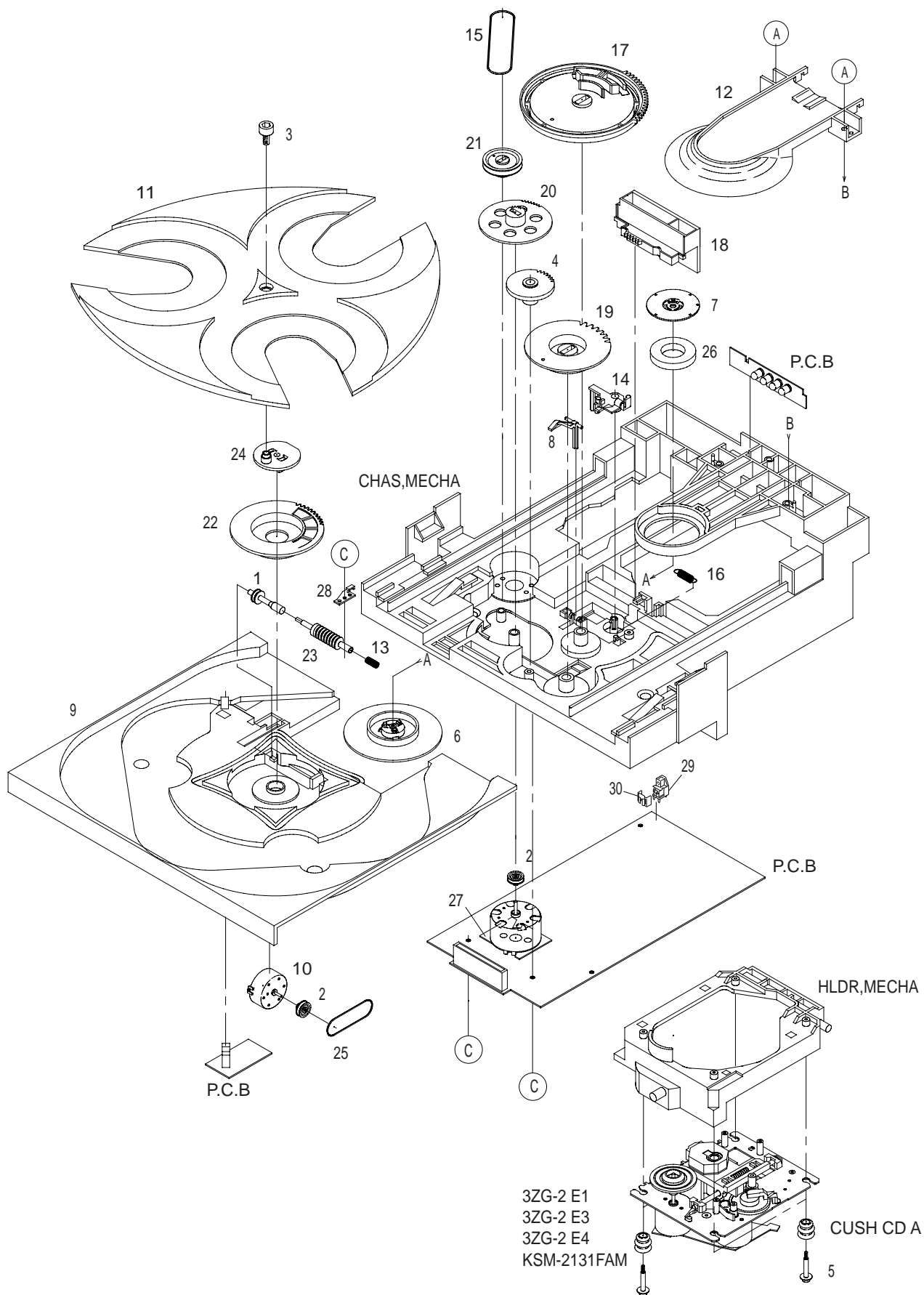


- 1) Connect an oscilloscope to test points TP1 (TE) and TP3 (VREF).
- 2) Start up the CD test mode.
- 3) Insert the test disc TCD-782 (YEDS-18) and enter the traverse mode of the CD test mode.
- 4) Confirm that the traverse waveform on an oscilloscope is vertically symmetrical as shown in the figure below.
- 5) After confirming the waveform, release the CD test mode.



VOLT/DIV: 20mV
TIME/DIV: 1mS

MECHANICAL EXPLODED VIEW 1/1



MECHANICAL PARTS LIST 1/1

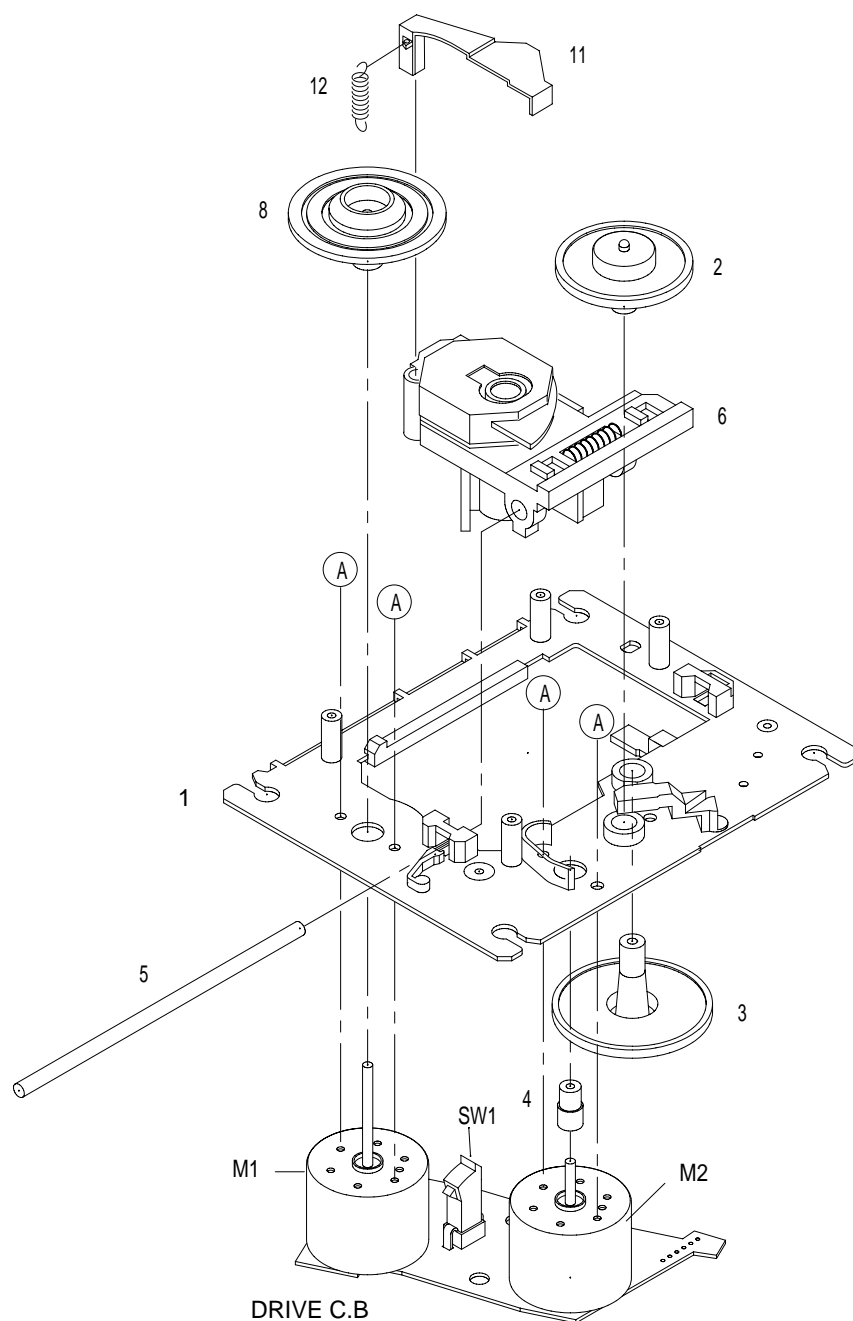
DESCRIPTIONで判断できない物は "REFERENCE NAME LIST" を参照してください。
 If can't understand for Description please kindly refer to "REFERENCE NAME LIST".

REF. NO	PART NO.	KANRI NO.	DESCRIPTION	REF. NO	PART NO.	KANRI NO.	DESCRIPTION
1	84-ZG1-239-210		PULLY, WORM N	22	84-ZG1-221-010		GEAR, MAIN TT<PZ3MD>
2	84-ZG1-267-010		PULLEY, LOAD MO 8 <EXCEPT Z4RND SH, Z4RNSHMDJ, PZ3MD>	22	84-ZG1-269-010		GEAR, MAIN TT 4<EXCEPT PZ3MD>
2	81-ZG1-212-010		PULLY, LOAD MO <Z4RND SH, Z4RNSHMDJ, PZ3MD>	23	84-ZG1-238-010		GEAR, WORM N
3	81-ZG1-239-010		S-SCREW, TT	24	84-ZG1-224-010		LEVER, TT<Z3RDLSHJ, PZ3MD>
4	81-ZG1-291-110		GEAR, TRAY RELAY NO3	24	84-ZG1-288-010		LEVER, TT NAT <EXCEPT Z3RDLSHJ, PZ3MD>
5	81-ZG1-271-010		S-SCREW MECH REAR	25	84-ZG1-225-010		BELT, SQ1.0-63.3
6	84-ZG1-290-010		HLD R, MAGNET J NAT <Z4RNSHMDJ, Z3RND SHJ, Z3RNSMDJ>	26	84-ZG1-300-010		MAGNET, CLAMPER 4P <EXCEPT Z4RND SH, Z3RDLSHJ, Z4RNSHMDJ>
6	84-ZG1-295-010		HLD R, MAGNET JV<Z3RDLSHJ>	26	84-ZG1-296-010		MAGNET, CLAMPER 93ZZ<Z3RDLSHJ>
6	84-ZG1-289-010		HLD R, MAGNET NAT <Z4RND SH, Z3NDSH, Z3RND SHM>	26	84-ZG1-268-010		MAGNET, CLAMPER 97 <Z4RND SH, Z4RNSHMDJ>
7	81-ZG1-229-110		PLATE, MAGNET <Z4RND SH, Z4RNSHMDJ, PZ3MD>	27	87-045-305-010		MOTOR, RF-500TB DC-5V (2MA)
7	81-ZG1-255-110		PLATE, MAGNET MK2 <EXCEPT Z4RND SH, Z4RNSHMDJ, PZ3MD>	28	84-ZG1-259-010		SPR-P, WORM
8	83-ZG3-213-010		LVR, SW	29	84-ZG1-244-310		CABI, OPTICAL <EXCEPT Z4RND SH, Z4RNSHMDJ>
9	84-ZG1-003-310		TRAY, NO2-B<Z3NDSH, PZ3MD>	29	84-ZG1-276-010		CABI, OPTICAL C<Z4RND SH, Z4RNSHMDJ>
9	84-ZG1-008-210		TRAY, NO3<EXCEPT Z3NDSH, PZ3MD>	30	84-ZG1-261-010		LID, OPTICAL
10	87-045-364-010		MOTOR (BCH3B14)	31	84-ZG1-287-010		HLD R, MECHA NAT <EXCEPT Z3RDLSHJ, PZ3MD>
11	84-ZG1-005-210		TURN TABLE, NO1 (*)	32	84-ZG1-286-010		CHAS, MECHA NAT <EXCEPT Z3RDLSHJ, PZ3MD>
12	84-ZG1-011-010		REFLECTOR, CD<Z3RDLSHJ, PZ3MD>	A	87-067-703-010		TAPPING SCREW, BVT2+3-10 <Z3RDLSHJ, PZ3MD>
13	84-ZG1-248-010		SPR-C, WORM	C	87-067-981-010		BVT2+3-6 BLK
14	84-ZG1-208-210		LEVER, CAM<PZ3MD>				
14	84-ZG1-266-010		LEVER, CAN 8<EXCEPT PZ3MD>				
15	84-ZG1-209-010		BELT, SQ1.8-117.7				
16	84-ZG1-211-010		SPR-E CAM S				
17	84-ZG1-203-410		GEAR, MAIN CAM <EXCEPT Z3RDLSHJ, PZ3MD>				
17	84-ZG1-215-410		GEAR, MAIN CAM BLU<Z3RDLSHJ, PZ3MD>				
18	84-ZG1-216-310		SLIDE, MECHA CAM YEL <Z3RDLSHJ, PZ3MD>				
18	84-ZG1-204-310		SLIDER, MECHA CAM <EXCEPT Z3RDLSHJ, PZ3MD>				
19	84-ZG1-205-210		GEAR, TRAY (*)				
20	84-ZG1-206-110		GEAR, RELAY<PZ3MD>				
20	84-ZG1-274-010		GEAR, RELAY 8<EXCEPT PZ3MD>				
21	84-ZG1-207-010		PULLEY, RELAY				

COLOR NAME TABLE

Basic color symbol	Color	Basic color symbol	Color	Basic color symbol	Color
B	Black	C	Cream	D	Orange
G	Green	H	Gray	L	Blue
LT	Transparent Blue	N	Gold	P	Pink
R	Red	S	Silver	ST	Titan Silver
T	Brown	V	Violet	W	White
WT	Transparent White	Y	Yellow	YT	Transparent Yellow
LM	Metallic Blue	LL	Light Blue	GT	Transparent Green
LD	Dark Blue	DT	Transparent Orange		

CD MECHANISM EXPLODED VIEW 1/1 (3ZG-2 E1)

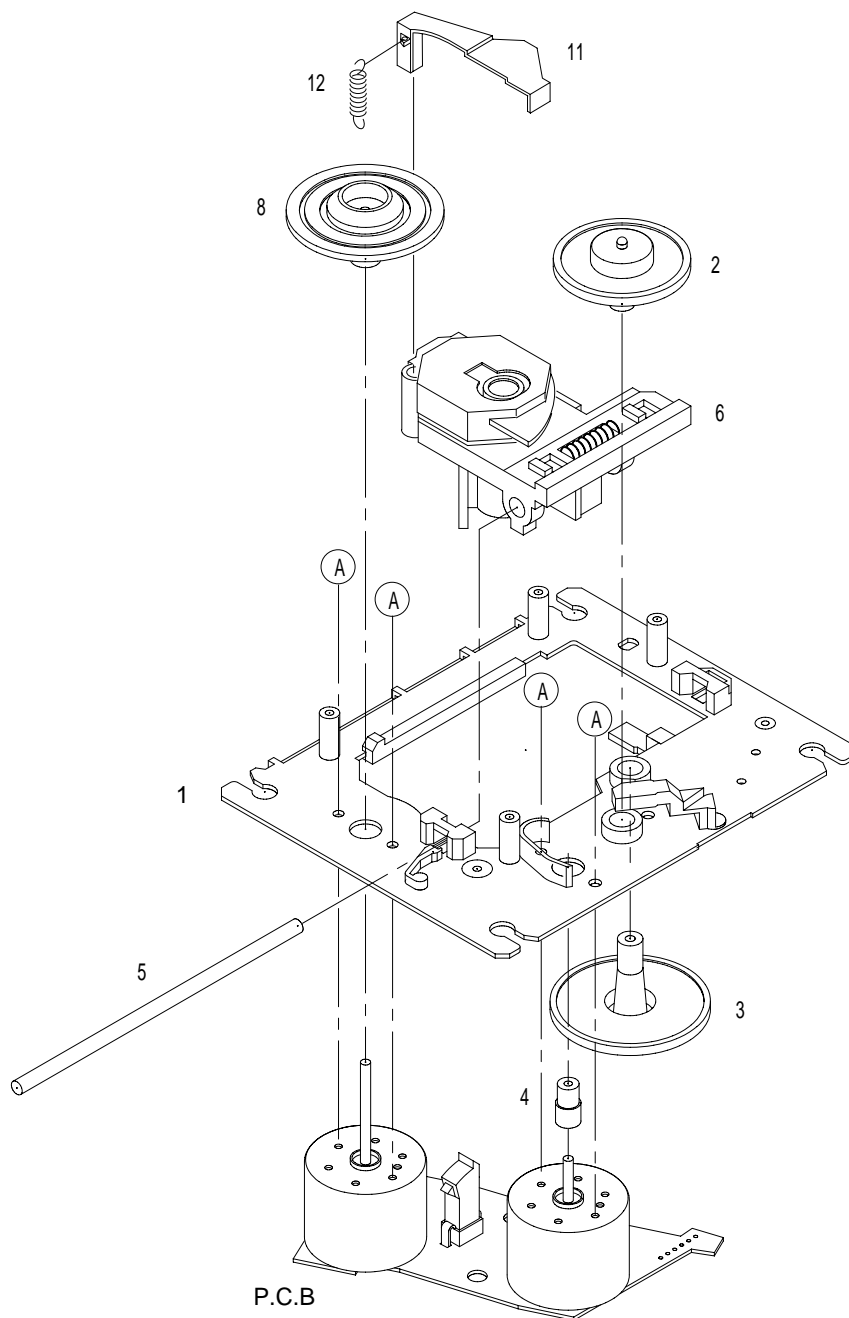


CD MECHANISM PARTS LIST 1/1 (3ZG-2 E1)

DESCRIPTIONで判断できない物は "REFERENCE NAME LIST" を参照してください。
 If can't understand for Description please kindly refer to "REFERENCE NAME LIST".

REF. NO	PART NO.	KANRI NO.	DESCRIPTION
1	83-ZG2-243-110		CHAS ASSY,SHT
2	83-ZG2-235-010		GEAR,A3
3	83-ZG2-205-210		GEAR,B
4	83-ZG2-236-010		GEAR MOTOR 3
5	83-ZG2-240-010		SHAFT,SLIDE 3
6	87-A90-836-010		PICKUP,KSS-213F
8	83-ZG2-233-010		TURN TABLE,A5
11	83-ZG2-245-110		LEVER,SHUTTER
12	83-ZG2-250-010		SPR-E,SHT 2
A	87-261-032-210		SCREW V+2-3

CD MECHANISM EXPLODED VIEW 1/1 (3ZG-2 E3)

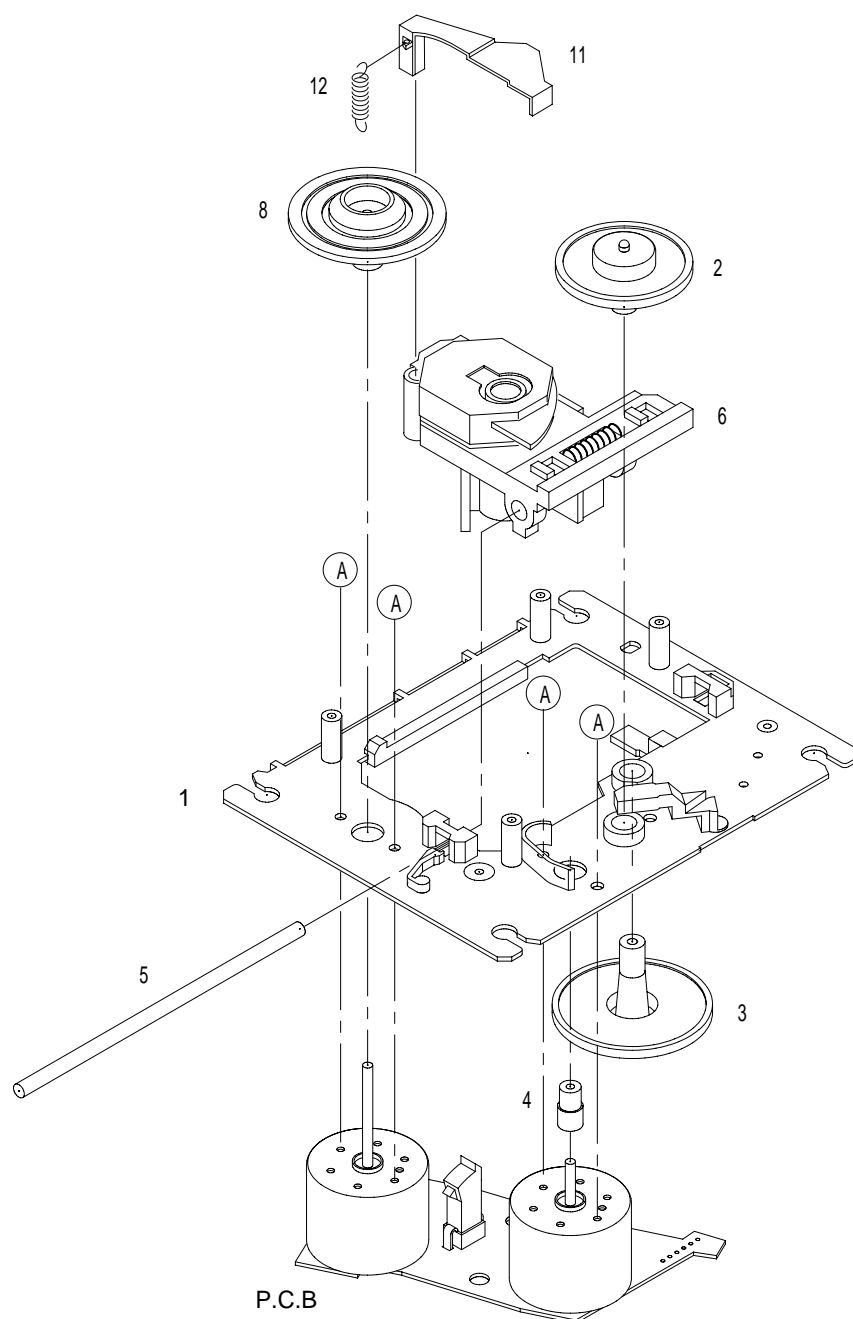


CD MECHANISM PARTS LIST 1/1 (3ZG-2 E3)

DESCRIPTIONで判断できない物は "REFERENCE NAME LIST" を参照してください。
 If can't understand for Description please kindly refer to "REFERENCE NAME LIST".

REF. NO	PART NO.	KANRI NO.	DESCRIPTION
1	83-ZG2-243-210		CHAS ASSY, SHT
2	83-ZG2-235-010		GEAR, A3
3	83-ZG2-205-210		GEAR, B
4	83-ZG2-236-010		GEAR MOTOR 3
5	83-ZG2-253-010		SHAFT, SLIDE 5
6	87-A90-836-010		PICKUP, KSS-213F
8	83-ZG2-227-210		TURN TABLE, C1
11	83-ZG2-245-410		LEVER, SHUTTER
12	83-ZG2-250-110		SPR-E, SHT 2
A	87-261-032-210		SCREW V+2-3

CD MECHANISM EXPLODED VIEW 1/1 (3ZG-2 E4)

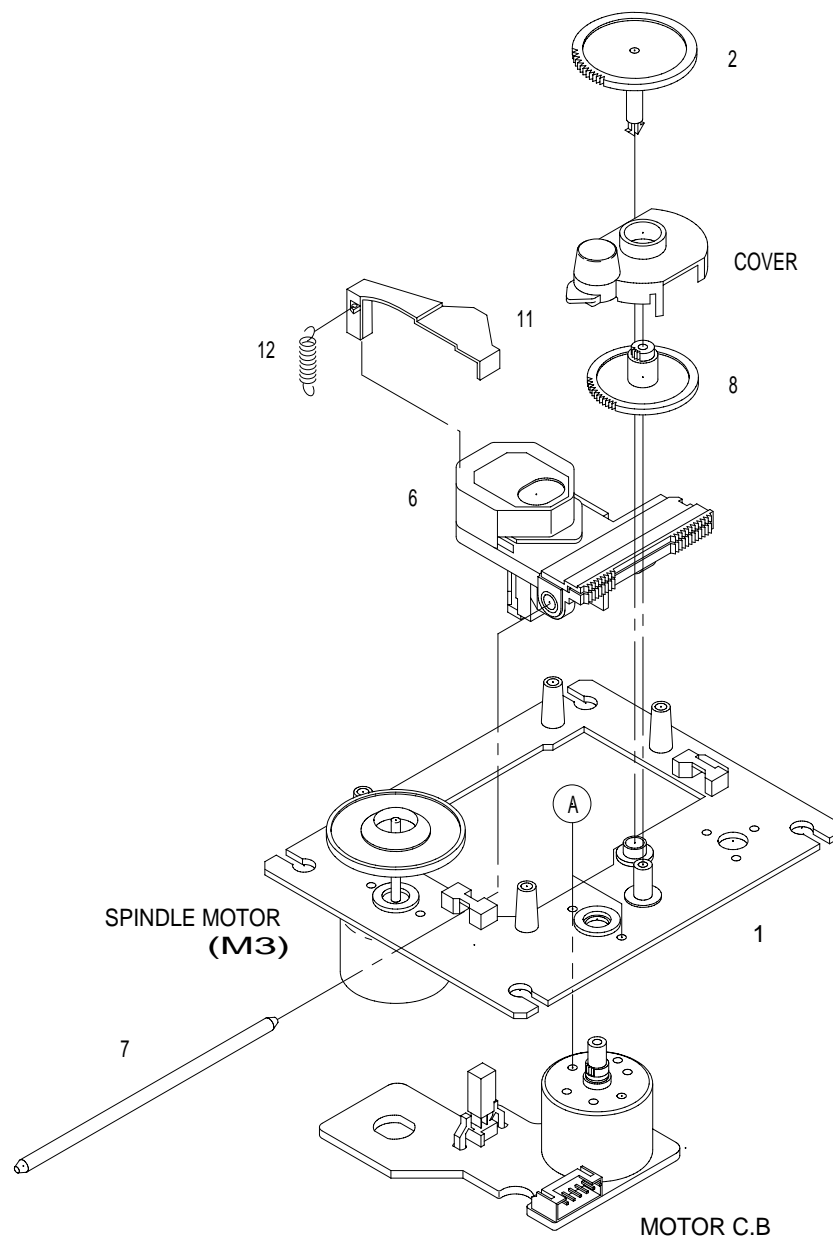


CD MECHANISM PARTS LIST 1/1 (3ZG-2 E4)

DESCRIPTIONで判断できない物は "REFERENCE NAME LIST" を参照してください。
If can't understand for Description please kindly refer to "REFERENCE NAME LIST".

REF. NO	PART NO.	KANRI NO.	DESCRIPTION
1	83-ZG2-251-010		CHAS ASSY,SHT
2	83-ZG2-235-010		GEAR,A3
3	83-ZG2-205-210		GEAR,B
4	83-ZG2-236-010		GEAR MOTOR 3
5	83-ZG2-253-010		SHAFT,SLIDE 5
6	87-A90-836-010		PICKUP,KSS-213F
8	83-ZG2-227-210		TURN TABLE,C1
11	83-ZG2-245-410		LEVER,SHUTTER
12	83-ZG2-250-110		SPR-E,SHT 2
A	87-261-032-210		SCREW V+2-3

CD MECHANISM EXPLODED VIEW 1/1 (KSM-2131 FAM)



CD MECHANISM PARTS LIST 1/1 (KSM-2131 FAM)

DESCRIPTIONで判断できない物は "REFERENCE NAME LIST" を参照してください。
 If can't understand for Description please kindly refer to "REFERENCE NAME LIST".

REF. NO	PART NO.	KANRI NO.	DESCRIPTION
1	9X-262-629-220		MOTOR CHASSIS ASSY(MB) (FR)
2	92-626-907-010		GEAR (A) (S)
6	87-A90-836-010		OPTICAL PICK UP KSS-213F
7	92-626-908-020		SHAFT SLED
8	92-627-003-010		GEAR (B)
11	92-646-697-020		LENS SHUTTER (F)
12	92-646-702-010		SPRIG EXTENSION
A	97-621-255-150		SCREW+P2-3



サービス技術ニュース	
番号	連絡内容
G- -	
G- -	
G- -	

アイワ株式会社 〒110-8710 東京都台東区池之端1-2-11 ☎03(3827)3111 (代表)
AIWA CO.,LTD. 2-11, IKENOHATA 1-CHOME, TAITO-KU, TOKYO 110-8710, JAPAN TEL:03 (3827) 3111